



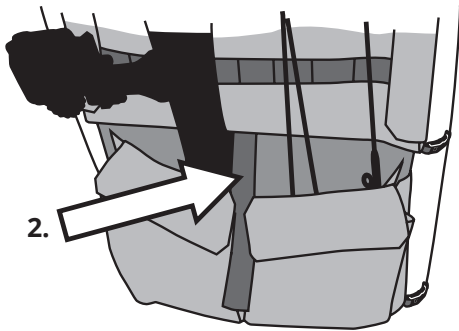
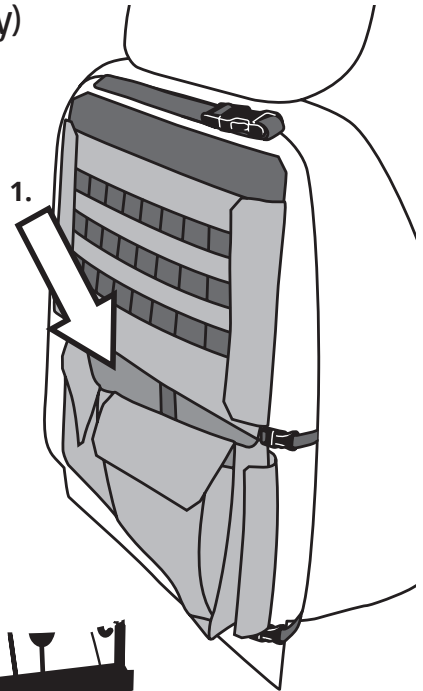
# Special OPS™ Package

## How-To Guide

### Compound Bow Instructions (Vertical Carry)

To carry most compound bows:

1. Locate the large open-top pocket on the bottom half of the Special OPS™ package (see illustration to right).
2. Place top limb and cam of the bow into the pocket, and secure the vertical strap across the center of the opening by attaching the hook & loop between the two front pockets (see illustration below left).
3. Bring the riser of the bow up against the top of the seat back. Secure in place using the top adjustable nylon strap with side-release buckle. To prevent rubbing, position the extra loop of strap material between the bow and the buckle (see illustration below right).



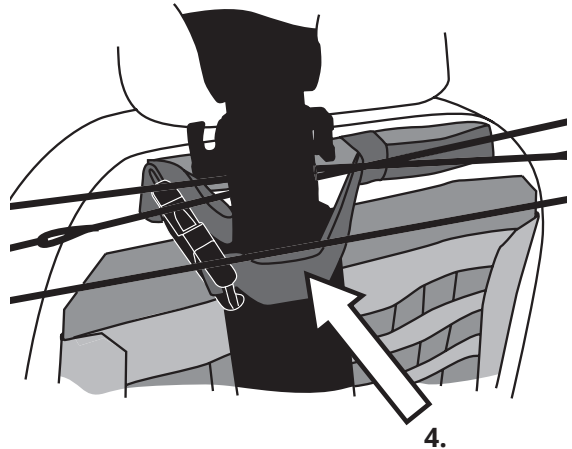
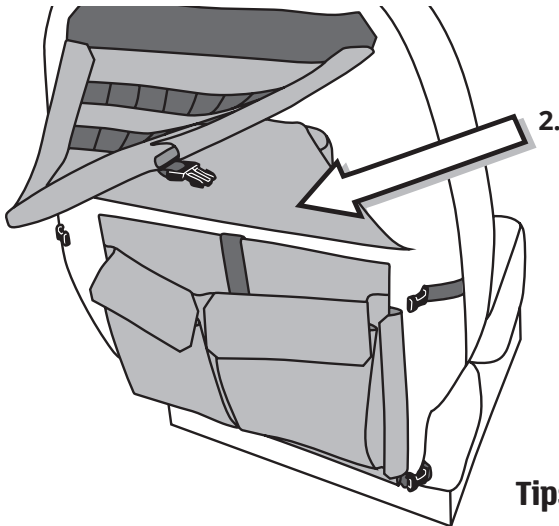
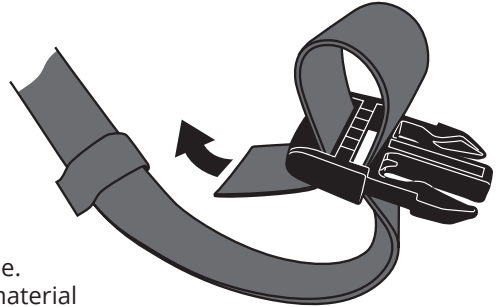
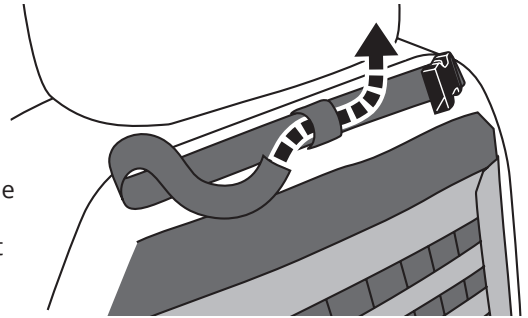
### Tips for Use:

- Reclining or raising the seat back will affect the angle at which the bow is held, which can be used to adjust for different sizes of bows.
- The bow may be easier to insert and remove from the large open-top pocket if the two front pockets are empty.

# Crossbow Instructions (Vertical Carry)

To carry most crossbows:

1. Remove the side-release buckle from the adjustable nylon strap towards the top of the seat back. Run the strap through the loop in the center of the seat back, then reattach the buckle to the strap (see both illustrations to right).
2. Locate the crossbow pouch, and unroll it from where it is stored behind the top pocket (see illustration below left).
3. Place the butt of the crossbow into the pouch.
4. Bring the top of the crossbow up against the top of the seat back, angling the crossbow towards the center of the vehicle to keep the limbs away from the vehicle door. Secure in place around the barrel using the top adjustable nylon strap with side-release buckle. To prevent rubbing, position the extra loop of strap material between the barrel and the buckle (see illustration below right).
5. When not in use, the crossbow pouch may be rolled up and re-secured behind the top pocket using the attached hook & loop strip.



## Tips for Use:

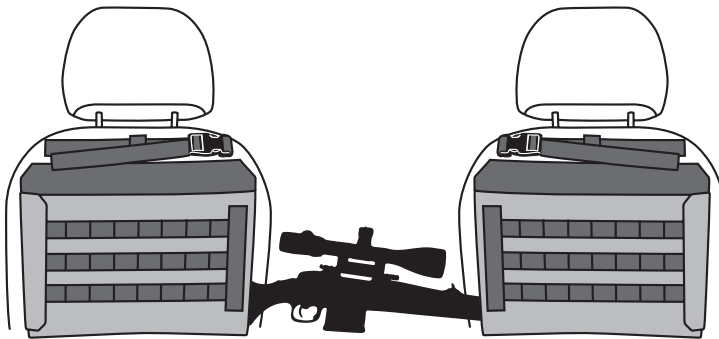
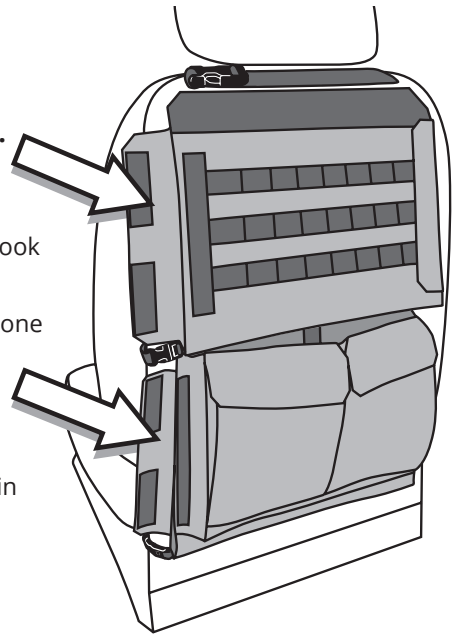
- Reclining or raising the seat back will affect the angle at which the crossbow is held, which can be used to adjust for different sizes of crossbows.

# Rifle/Long Item Instructions (Horizontal Carry)

To carry longer items such as rifles, tripods, fishing poles, etc.

1. Locate the scabbard-style pockets, and open the vertical flaps on the inner edges (see illustration to right). The flaps can then be tucked inside the pocket and attached to the hook and loop strip on the inside, to keep them out of the way.
2. Slide one end of the rifle into the scabbard-style pocket on one side, pushing it in fully.
3. Move the opposite end of the rifle into position at the opening of the scabbard-style pocket on the other seat and slide the rifle partially into the pocket. The rifle should now have both ends in pockets, and should be suspended in the space between the seats.

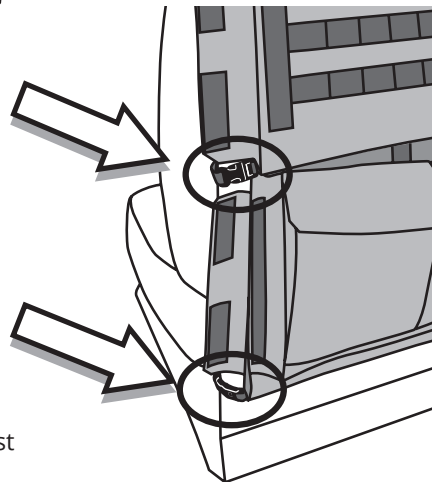
1.



*Note: There are two sets of these pockets, allowing storage of two rifles, one above the other.*

## Tips for Use:

- If your item is especially long, it may be necessary also to open the vertical flap on the outside edge of the pocket, to allow more room to maneuver the item into position.
- On some vehicles the center console may block the area between the two scabbard-style pockets. If this is the case, detaching the side-release buckles at the bottom corners of the pockets (see illustration to right) will allow the pocket to hang away from the seat back, and may create the clearance needed for the center console.
- If the Special OPS™ Package is installed on adjustable seats, both seats should be adjusted to similar distances for the best possible positioning.
- **Always obey local, state, and federal gun laws.**



## Instructional Video

Please scan the code below to view a short video demonstrating all of the instructions included in this guide.

Or use the URL <http://www.youtube.com/watch?v=Lxcv0i4JqMo>



## Care Instructions

Clean your Special OPS™ using a damp cloth or light brush, and allow to air dry thoroughly before using again. Do not use any alcohol-based cleaning agents.

## Warranty

Ruff Tuff Products warrants its products against defects in workmanship and material for one (1) year from the shipping date. Ruff Tuff does not warrant against color change or fading.

This warranty is limited to repair and replacement only. Ruff Tuff's liability shall not exceed the replacement or repair cost of the merchandise.

The product may be repaired or replaced for credit at Ruff Tuff's discretion.



2252 S Presidents Dr, Suite E  
West Valley City, UT 84120

**Toll Free: 800-453-8830**

**WWW.RUFFTUFF.COM**